



REXI-HC
DIRECT ACTING PRESSURE REGULATOR

geca

**Tecno
Control**

WE'RE A RESILIENT GROUP

Being a Group means having the culture, expertise, service and products the Customer needs to succeed.

CPF Industriale, Geca and Tecnocontrol have been created to meet market demand in real time, to show credibility and structural strength.

It's true. We're a resilient group because in over 70 years we have been able to understand and bring technology, products and customer service in line with the real needs of our Customers, who have changed incredibly over time. We have placed extreme attention on listening, analysing and studying without interfering with the final goal: **Uncompromised Quality.**

Our Group is currently able to design, manufacture and sell in the OEM, Industrial Gas Companies, Plumbing and Heating, HVAC, Gas distribution, Gas Safety and Oil & Gas sectors and operates in 91 countries worldwide.





REXI-HC with Slam Shut valve

The **REXI-HC Series** is a direct-acting pressure regulator with balanced plug, or **REXI-HC/D** series pressure regulators is direct acting devices for low and medium pressure applications controlled by a diaphragm and counter spring, for low, medium and high pressures. Suitable for non-corrosive gases; thanks to the concept of a balanced plug, you can achieve a high flow rate coefficient, highly accurate (even at maximum flow rates), a lock up zone and relatively low lock up pressure, no internal leakage at zero flow rate and reduced response times.

The constancy of the regulated pressure and its accuracy, even with significant changes in the upstream pressure and/ or flow rate, make the **REXI-HC Series** regulator especially suitable for power distribution networks in civil and industrial plants. The basic version of the **REXI-HC Series** regulator is made according to European Standard **EN 334**, as a **Fail to Open regulator**.



REXI-HC without Slam Shut valve

The shut-off device can be calibrated for pressure increase, **Over Pressure Shut-Off (OPSO)** and/or for pressure decrease, **Under Pressure Shut-Off (UPS0)**. The two intervention modes can be calibrated independently by dedicated calibration springs: one spring for the maximum pressure intervention and the second spring for the minimum pressure intervention. **REXI-HC series can be supplied also without Slam Shut valve.**

The **REXI-HC Series** can be equipped with an incorporated relief valve that discharge the gas into the atmosphere when the regulator outlet pressure exceeds the set value. When the outlet pressure returns to below the set value, the relief valve closes again.

The **MONITOR** is a safety accessory that performs the functions of the service regulator when the main regulator fails. This is a regulator valve that is usually fully open during normal operation of the service regulator. The **MONITOR** is an emergency pressure regulator that is usually upstream, in the direction of the gas flow, of another pressure regulator that performs the function of a **SERVICE** regulator.

OPERATING FEATURES

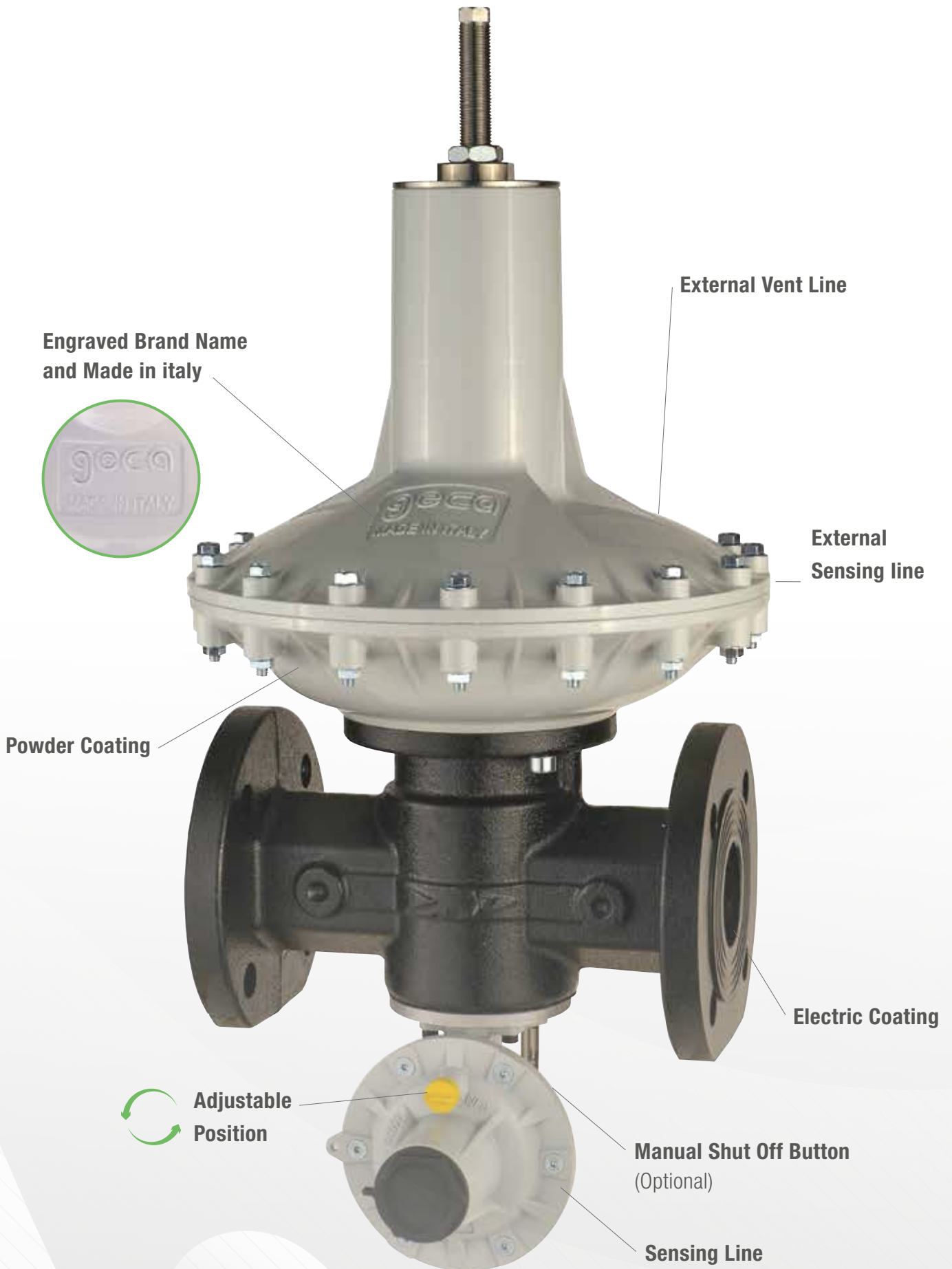
Maximum inlet pressure (Pu)	20 bar
Outlet pressure (Pd)	5 mbar to 4,5 bar * (refer to the table)
Slam Shut valve	OPSO 30 mbar to 6,0 bar * (refer to the table) UPSO 6 mbar to 3,5 bar * (refer to the table)
Relief Valve	Pd + 15 mbar to 3000 mbar * (refer to the table)
AC Accuracy class	up to 5 (depending on version and set point)
SG Lock up class	up to 10 (depending on version and set point)
Minimum operating differential pressure (Δp_{min1})	100 mbar
Working Temperature	- 20°C to + 60°C
Use	Not Aggressive gases of three families - NG LPG - Town Gas - Air
Dimension	DN25 - DN40 - DN50 PN16/25 according to ISO 7005-1 and ISO 7005-2. On Request ANSI Class 125 FF according to ASME B16.1
Body	Cast Iron GJS 400-18 Aluminum EN46100 Painted
Diaphragms	Reinforced NBR
O-rings	Nitrile rubber

The REXI regulator is designed according to European standard EN 334.

The regulator reacts in opening (Fail Open) according to EN 334.

The product is certified according to European Directive 2014/68/EU (PED).

MAIN FEATURES



CODE	DESCRIPTION
Direct Acting with balanced plug - DN25-DN25 - with Relief Valve	
RGD25 - HC - LP - RV	Gas Regulator 1" - 1" - Pmax 10 bar - LP Version - Outlet Range 10 - 120 mbar - Relief Valve
RGD25 - HC - MP - RV	Gas Regulator 1" - 1" - Pmax 20 bar - MP Version - Outlet Range 70 - 350 mbar - Relief Valve
RGD25 - HC - HP - RV	Gas Regulator 1" - 1" - Pmax 20 bar - HP Version - Outlet Range 280 - 4500 mbar - Relief Valve
Direct Acting with balanced plug - DN40 - DN40 with Relief Valve	
RGD40 - HC - LP - RV	Gas Regulator 1 1/2" - 1 1/2" - Pmax 10 bar - LP Version - Outlet Range 10 - 120 mbar - Relief Valve
RGD40 - HC - MP - RV	Gas Regulator 1 1/2" - 1 1/2" - Pmax 20 bar - MP Version - Outlet Range 70 - 350 mbar - Relief Valve
RGD40 - HC - HP - RV	Gas Regulator 1 1/2" - 1 1/2" - Pmax 20 bar - HP Version - Outlet Range 280 - 4500 mbar - Relief Valve
Direct Acting with balanced plug - DN50 - DN50 with Relief Valve	
RGD50 - HC - LP - RV	Gas Regulator 2" - 2" - Pmax 10 bar - LP Version - Outlet Range 10 - 120 mbar - Relief Valve
RGD50 - HC - MP - RV	Gas Regulator 2" - 2" - Pmax 20 bar - MP Version - Outlet Range 70 - 350 mbar - Relief Valve
RGD50 - HC - HP - RV	Gas Regulator 2" - 2" - Pmax 20 bar - HP Version - Outlet Range 280 - 4500 mbar - Relief Valve
Direct Acting with balanced plug - DN25-DN25 - without Relief Valve	
RGD25 - HC - LP	Gas Regulator 1" - 1" - Pmax 10 bar - LP Version - Outlet Range 10 - 120 mbar
RGD25 - HC - MP	Gas Regulator 1" - 1" - Pmax 20 bar - MP Version - Outlet Range 70 - 350 mbar
RGD25 - HC - HP	Gas Regulator 1" - 1" - Pmax 20 bar - HP Version - Outlet Range 280 - 4500 mbar
Direct Acting with balanced plug - DN40 - DN40 without Relief Valve	
RGD40 - HC - LP	Gas Regulator 1 1/2" - 1 1/2" - Pmax 10 bar - LP Version - Outlet Range 10 - 120 mbar
RGD40 - HC - MP	Gas Regulator 1 1/2" - 1 1/2" - Pmax 20 bar - MP Version - Outlet Range 70 - 350 mbar
RGD40 - HC - HP	Gas Regulator 1 1/2" - 1 1/2" - Pmax 20 bar - HP Version - Outlet Range 280 - 4500 mbar
Direct Acting with balanced plug - DN50 - DN50 without Relief Valve	
RGD50 - HC - LP	Gas Regulator 2" - 2" - Pmax 10 bar - LP Version - Outlet Range 10 - 120 mbar
RGD50 - HC - MP	Gas Regulator 2" - 2" - Pmax 20 bar - MP Version - Outlet Range 70 - 350 mbar
RGD50 - HC - HP	Gas Regulator 2" - 2" - Pmax 20 bar - HP Version - Outlet Range 280 - 4500 mbar

Range mentioned in above description is the full range. It is possible to get with different springs. \ Please select the right spring from the table in the product catalogue.

For monitor version, put M before the product code.

CODE	DESCRIPTION
Direct Acting - DN25-DN25 - with Relief Valve	
RGD25 - HC/D - LP - RV	Gas Regulator 1" - 1" - Pmax 10 bar - LP Version - Outlet Range 10 - 120 mbar - Relief Valve
RGD25 - HC/D - MP - RV	Gas Regulator 1" - 1" - Pmax 20 bar - MP Version - Outlet Range 70 - 350 mbar - Relief Valve
RGD25 - HC - HP - RV	Gas Regulator 1" - 1" - Pmax 20 bar - HP Version - Outlet Range 280 - 4500 mbar - Relief Valve
Direct Acting - DN40 - DN40 with Relief Valve	
RGD40 - HC/D - LP - RV	Gas Regulator 1 1/2" - 1 1/2" - Pmax 10 bar - LP Version - Outlet Range 10 - 120 mbar - Relief Valve
RGD40 - HC/D - MP - RV	Gas Regulator 1 1/2" - 1 1/2" - Pmax 20 bar - MP Version - Outlet Range 70 - 350 mbar - Relief Valve
RGD40 - HC/D - HP - RV	Gas Regulator 1 1/2" - 1 1/2" - Pmax 20 bar - HP Version - Outlet Range 280 - 4500 mbar - Relief Valve
Direct Acting - DN50 - DN50 with Relief Valve	
RGD50 - HC/D- LP - RV	Gas Regulator 2" - 2" - Pmax 10 bar - LP Version - Outlet Range 10 - 120 mbar - Relief Valve
RGD50 - HC /D- MP - RV	Gas Regulator 2" - 2" - Pmax 20 bar - MP Version - Outlet Range 70 - 350 mbar - Relief Valve
RGD50 - HC/D - HP - RV	Gas Regulator 2" - 2" - Pmax 20 bar - HP Version - Outlet Range 280 - 4500 mbar - Relief Valve
Direct Acting - DN25-DN25 - without Relief Valve	
RGD25 - HC/D - LP	Gas Regulator 1" - 1" - Pmax 10 bar - LP Version - Outlet Range 10 - 120 mbar
RGD25 - HC/D- MP	Gas Regulator 1" - 1" - Pmax 20 bar - MP Version - Outlet Range 70 - 350 mbar
RGD25 - HC/D- HP	Gas Regulator 1" - 1" - Pmax 20 bar - HP Version - Outlet Range 280 - 4500 mbar
Direct Acting - DN40 - DN40 without Relief Valve	
RGD40 - HC/D - LP	Gas Regulator 1 1/2" - 1 1/2" - Pmax 10 bar - LP Version - Outlet Range 10 - 120 mbar
RGD40 - HC/D - MP	Gas Regulator 1 1/2" - 1 1/2" - Pmax 20 bar - MP Version - Outlet Range 70 - 350 mbar
RGD40 - HC/D - HP	Gas Regulator 1 1/2" - 1 1/2" - Pmax 20 bar - HP Version - Outlet Range 280 - 4500 mbar
Direct Acting - DN50 - DN50 without Relief Valve	
RGD50 - HC/D- LP	Gas Regulator 2" - 2" - Pmax 10 bar - LP Version - Outlet Range 10 - 120 mbar
RGD50 - HC/D - MP	Gas Regulator 2" - 2" - Pmax 20 bar - MP Version - Outlet Range 70 - 350 mbar
RGD50 - HC/D - HP	Gas Regulator 2" - 2" - Pmax 20 bar - HP Version - Outlet Range 280 - 4500 mbar

Range mentioned in above description is the full range. It is possible to get with different springs. \ Please select the right spring from the table in the product catalogue.
For monitor version, put M before the product code.

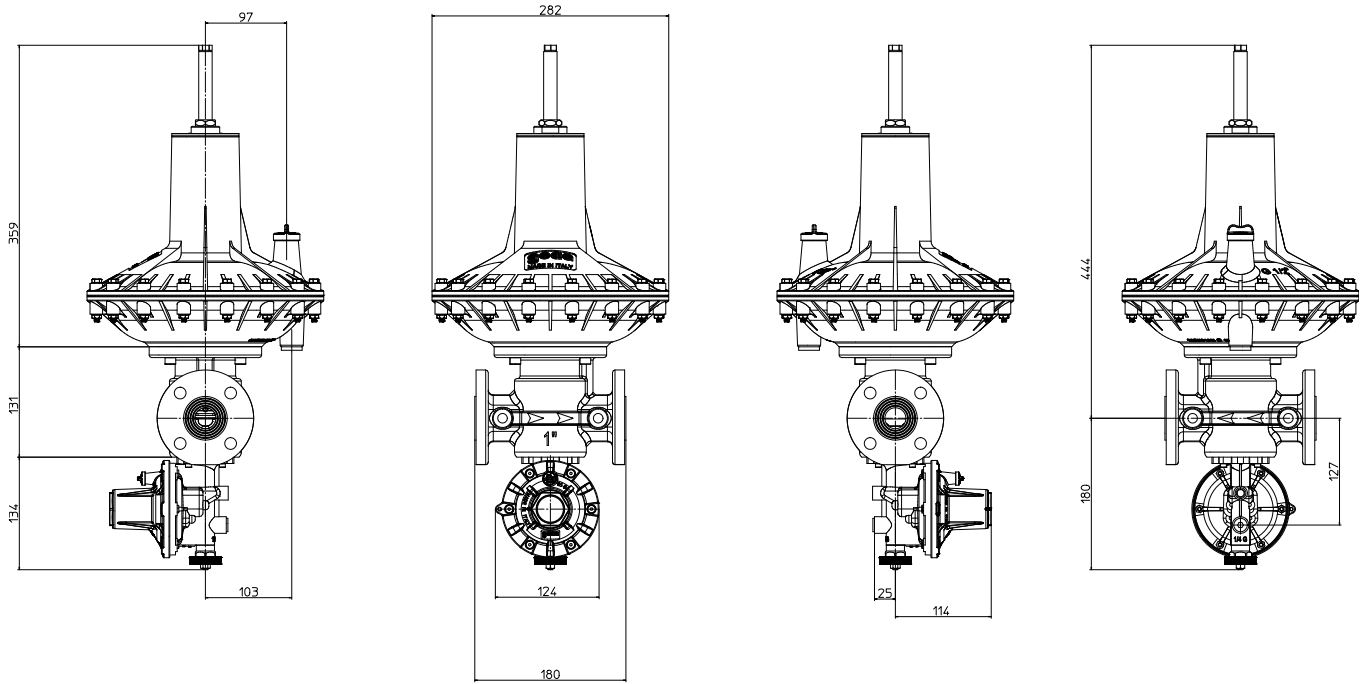
CODE	DESCRIPTION
Slam Shut Valve for RG Regulator - OPSO/UPS0	
SSV - LP	Slam Shut valve for RG Regulator LP Version - OPSO range 30 - 180 mbar / UPS0 range 6 - 60 mbar
SSV - MP	Slam Shut valve for RG Regulator MP Version - OPSO range 50 - 850 mbar / UPS0 range 6 - 500 mbar
SSV - HP	Slam Shut valve for RG Regulator HP Version - OPSO range 180 - 5500 mbar / UPS0 range 60 - 3500 mbar

Slam Shut Valve for RG Regulator - OPSO	
SSV - LP - OPSO	Slam Shut valve for RG Regulator - LP Version - Only OPSO range 30 - 180 mbar
SSV - MP - OPSO	Slam Shut valve for RG Regulator - MP Version - Only OPSO range 50 - 850 mbar
SSV - HP - OPSO	Slam Shut valve for RG Regulator - HP Version - Only OPSO range 180 - 6000 mbar

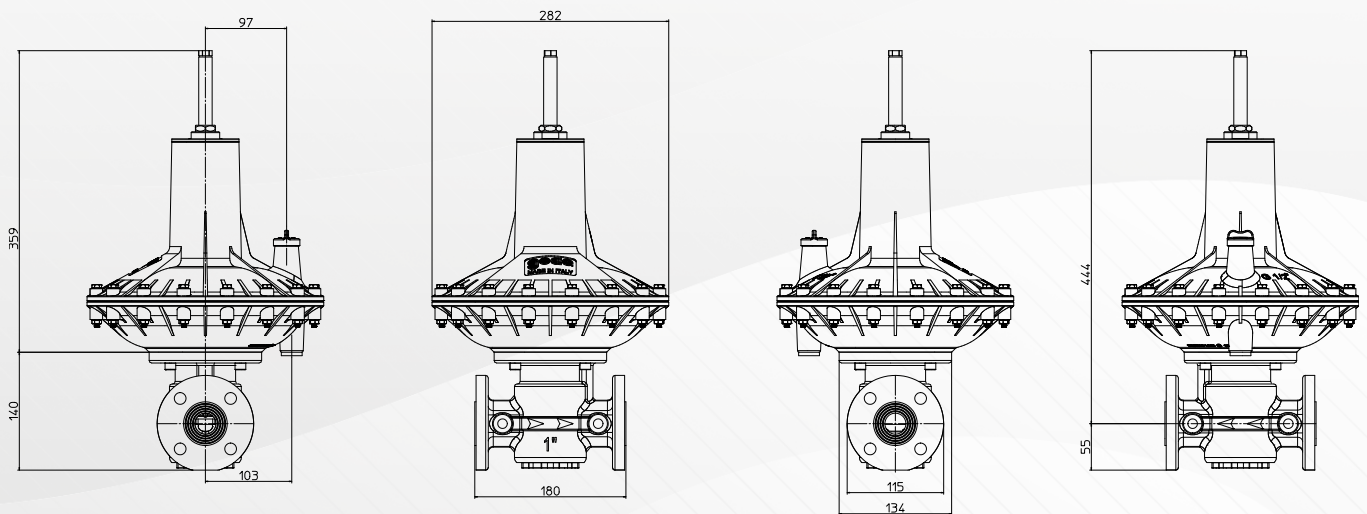
Slam Shut Valve for RG Regulator - UPS0	
SSV - LP - UPS0	Slam Shut valve for RG Regulator - LP Version - Only UPS0 range 6 - 60 mbar
SSV - MP - UPS0	Slam Shut valve for RG Regulator - MP Version - Only UPS0 range 6 - 500 mbar
SSV - HP - UPS0	Slam Shut valve for RG Regulator - HP Version - Only UPS0 range 60 - 3500 mbar

CODE	COLOR	RANGE (mbar)	TYPE OF PRODUCT
OUTLET			
SPN-RG-H C	Neutral	5 - 13	BP/MP
SPY-RG-HC	Yellow	10 - 18	BP/MP
SPG-RG-HC	Green	15 - 30	BP/MP
SPLB-RG-HC	Light blue	25 - 50	BP/MP
SPW-RG-HC	White	40 - 75	BP/MP
SPOR-RG-HC	Orange	60 - 120	BP/MP
SPB-RG-HC	Blue	100 - 170	MP
SPR-RG-HC	Red	145 - 270	MP
SPBK-RG-HC	Black	230 - 350	MP
SPW-RG-HC - HP	White	280 - 720	HP
SPG-RG-HC - HP	Green	590 - 1000	HP
SPLB-RG-HC-HP	Light blue	840 - 1250	HP
SPOR-RG-HC-HP	Orange	1050 - 2300	HP
SPPU-RG-HC-HP	Purple	2000 - 4500	HP
RELIEF VALVE			
SPLB-RV	Light Blue	15 - 40	LP
SPG-RV	Green	40 - 110	LP
SPR-RV	Red	80 - 1100	MP/HP
SPBK-RV	Black	1000 - 3000	HP
OPSO			
SPR-OPSO	Red	30 - 100	LP/MP
SPLB-OPRO	Light Blue	80 - 350	LP/MP
SPG-OPSO	Green	150 - 500	LP/MP
SPG-OPSO	Green	200 - 850	HP
SPB-OPSO	Blue	650 - 1200	HP
SPY-OPSO	Yellow	1000 - 1800	HP
SPPU-OPSO	Purple	1600 - 3000	HP
SPW-OPSO	White	2200 - 4000	HP
SPBK-OPSO	Black	3500 - 6000	HP
UPS0			
SPLB-UPS0	Light Blue	6 - 60	LP/MP
SPR-UPS0	Red	60 - 500	MP/HP
SPBK-UPS0	Black	500 - 1000	HP
SPY-UPS0	Yellow	1000 - 2000	HP
SPB-UPS0	Blue	2000 - 3500	HP

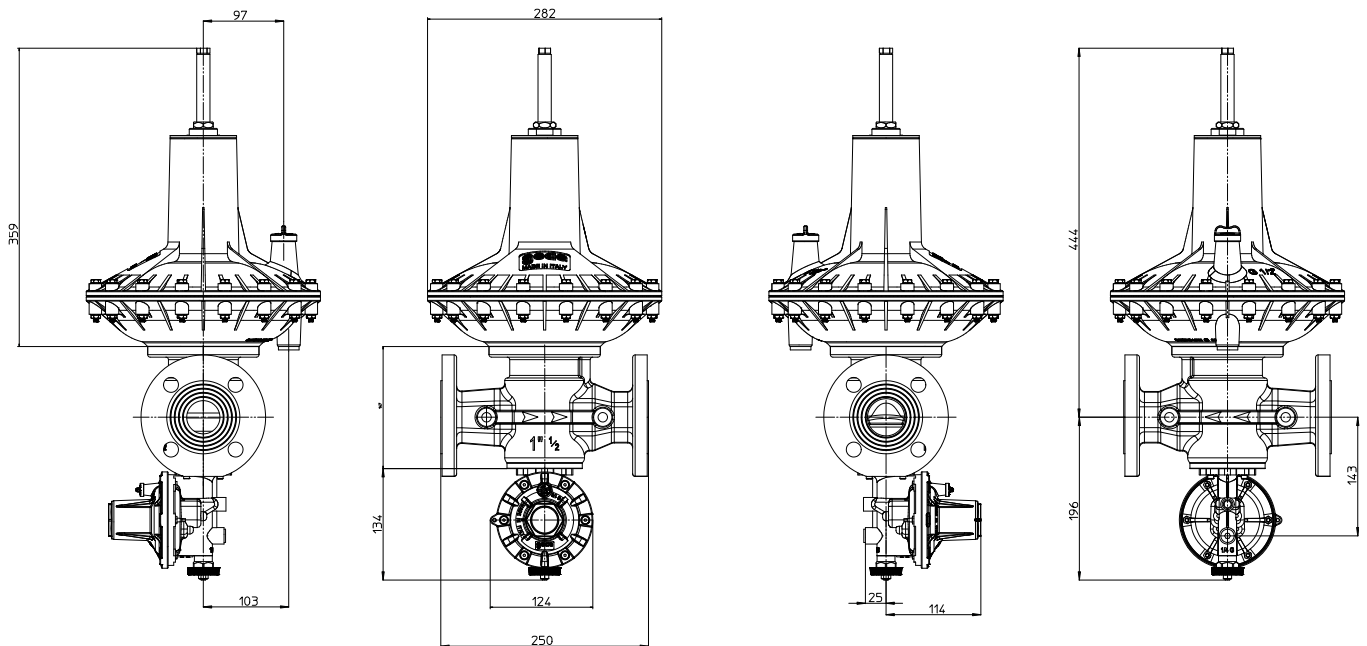
Gas Regulator with SSV - DN25 - DN25



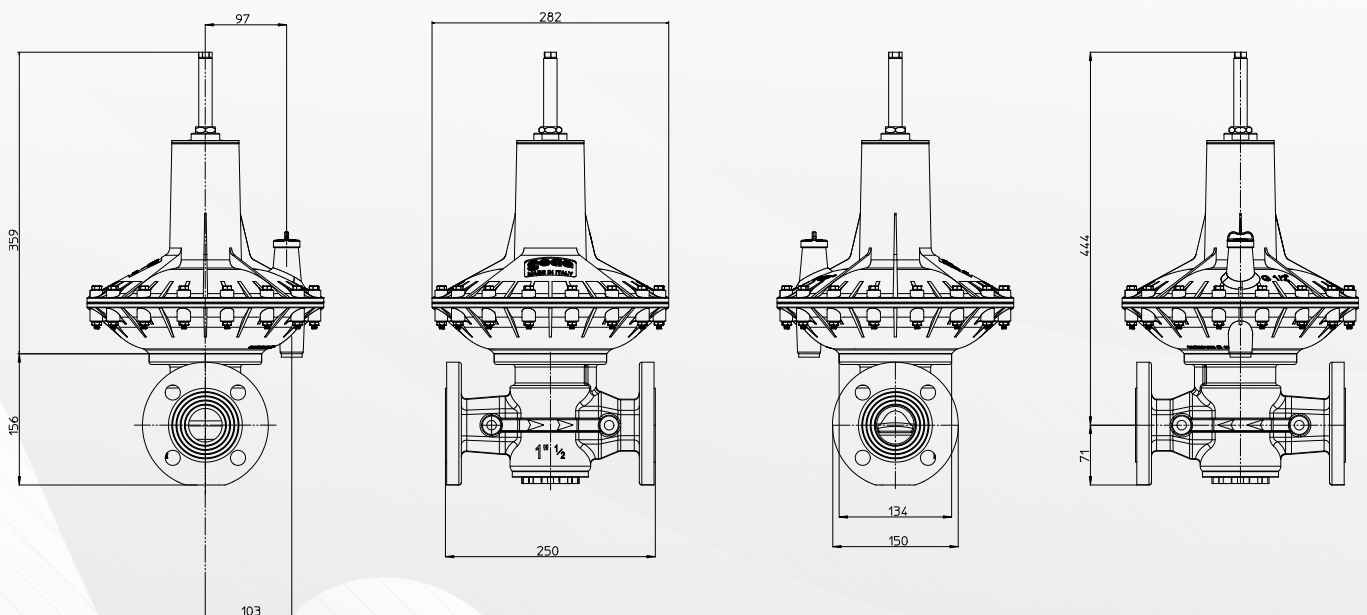
Gas Regulator without SSV - DN25 - DN25



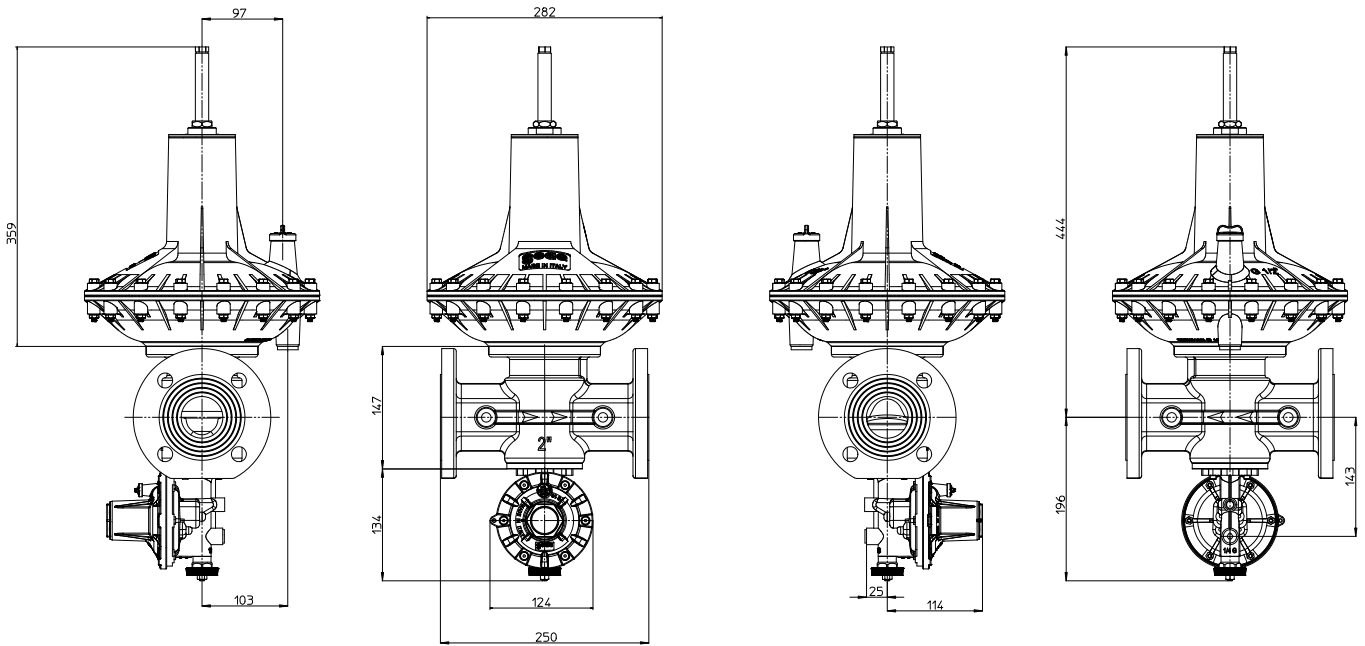
Gas Regulator with SSV - DN40 - DN40



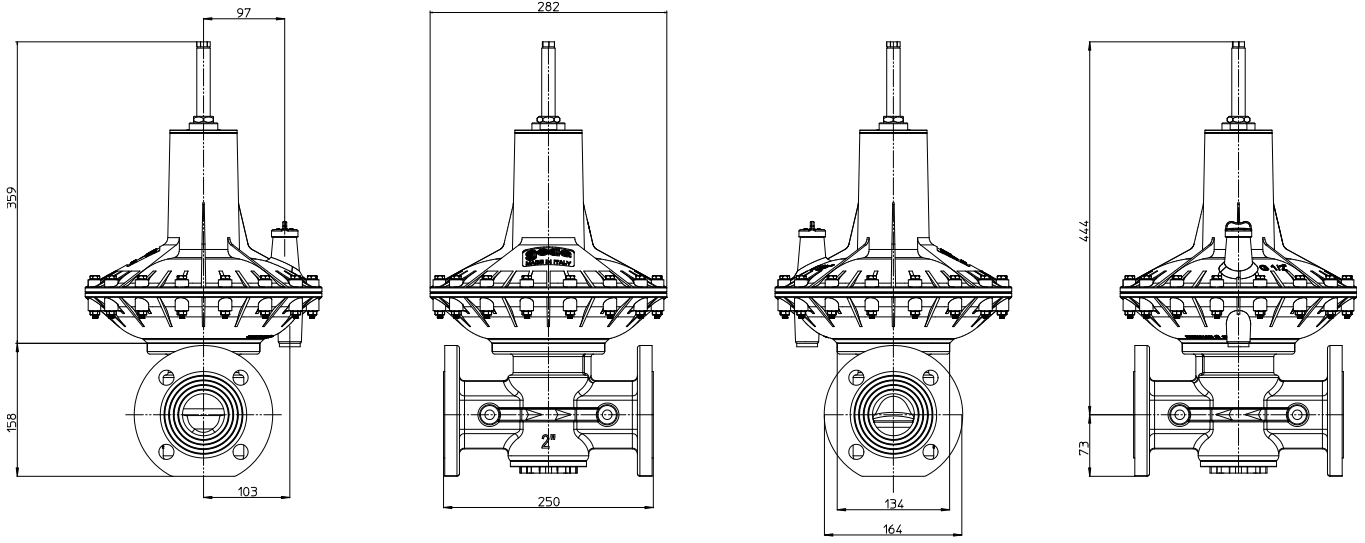
Gas Regulator without SSV - DN40 - DN40



Gas Regulator with SSV - DN50 - DN50

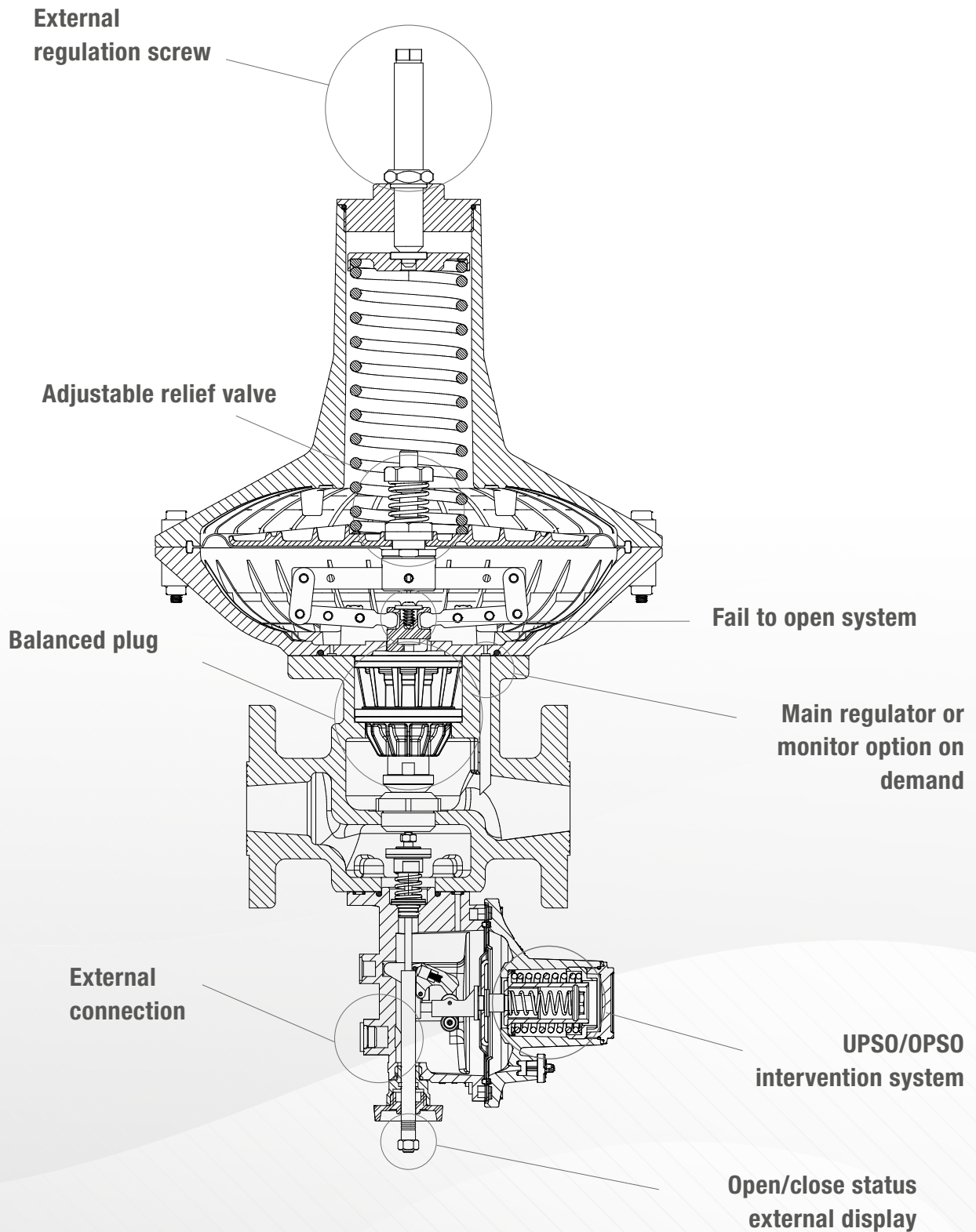


Gas Regulator with SSV - DN50 - DN50



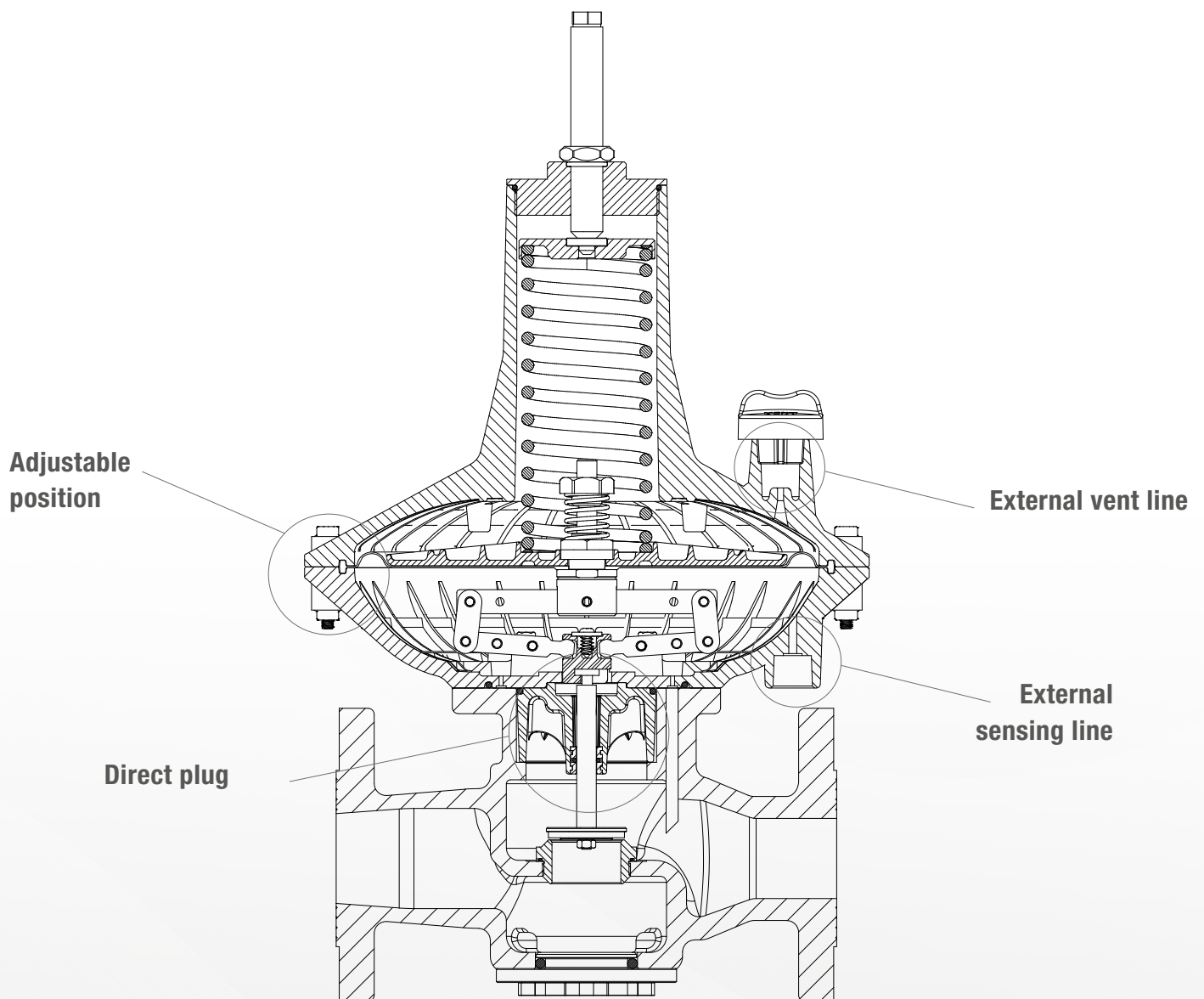
TECHNICAL DRAWING

REXI-HC Gas Regulator Direct Acting with balanced plug



TECHNICAL DRAWING

REXI-HC/D Gas pressure regulator direct acting



FLOW CAPACITY

DN25-DN25 / Capacity Nm³/h / (Conversion in Kg/h = Multiply by 1,2)

REXI - HC - DN25 - DN25 - LP VERSION RANGE FROM 10 MBAR TO 120 MBAR

Inlet Pressure	Outlet Pressure				
	20 mbar	25 mbar	40 mbar	60 mbar	85 mbar
0,5 bar	170	168	163	166	165
1 bar	260	262	270	273	262
2 bar	429	432	442	437	419
5 bar	676	693	743	764	726
10 bar	911	888	818	760	723
15 bar	572	600	684	740	720
20 bar	373	442	648	766	717

REXI - HC - DN25 - DN25 - MP VERSION RANGE FROM 70 MBAR TO 350 MBAR

Inlet Pressure	Outlet Pressure				
	100 mbar	150 mbar	200 mbar	250 mbar	300 mbar
0,5 bar	150	150	145	130	115
1 bar	250	260	250	240	230
2 bar	419	449	409	419	429
5 bar	696	696	696	746	796
10 bar	693	693	693	743	792
15 bar	690	690	690	740	789
20 bar	688	688	688	737	786

REXI - HC - DN25 - DN25 - HP VERSION RANGE FROM 280 TO 4,5 BAR

Inlet Pressure	Outlet Pressure				
	500 mbar	1000 mbar	2000 mbar	3000 mbar	4000 mbar
0,5 bar	-	-	-	-	-
1 bar	180	-	-	-	-
2 bar	329	310	-	-	-
5 bar	697	757	618	578	538
10 bar	862	1090	1389	1323	1256
15 bar	858	1109	1729	1811	1894
20 bar	855	1111	1772	1778	1784

• Recommended max flow rate.

• Above capacity are calculated with external sensing line.

FLOW CAPACITY

DN40 - DN40 / Capacity Nm³/h / (Conversion in Kg/h = Multiply by 1,2)

REXI - HC - DN40 - DN40 - LP VERSION RANGE FROM 10 MBAR TO 120 MBAR

Inlet Pressure	Outlet Pressure				
	20 mbar	25 mbar	40 mbar	60 mbar	85 mbar
0,5 bar	440	438	433	407	350
1 bar	669	669	669	638	559
2 bar	998	1014	1064	1097	1097
5 bar	994	1094	1392	1648	1790
10 bar	990	1122	1518	1782	1782
15 bar	838	994	1463	1775	1775
20 bar	589	789	1376	1769	1769

REXI - HC - DN40 - DN40 - MP VERSION RANGE FROM 70 MBAR TO 350 MBAR

Inlet Pressure	Outlet Pressure				
	100 mbar	150 mbar	200 mbar	250 mbar	300 mbar
0,5 bar	400	400	400	370	340
1 bar	685	699	619	619	619
2 bar	1097	1097	998	1048	1098
5 bar	1620	1691	1592	1592	1592
10 bar	1641	1782	1683	1733	1783
15 bar	1634	1775	1677	1726	1775
20 bar	1698	1769	1769	1769	1769

REXI - HC - DN40 - DN40 - HP VERSION RANGE FROM 280 TO 4,5 BAR

Inlet Pressure	Outlet Pressure				
	500 mbar	1000 mbar	2000 mbar	3000 mbar	4000 mbar
0,5 bar	-	-	-	-	-
1 bar	495	-	-	-	-
2 bar	838	839	-	-	-
5 bar	1791	1692	1844	1646	1448
10 bar	1882	1784	1984	1918	1853
15 bar	1953	1777	1976	1944	1944
20 bar	1966	1770	2067	2086	2091

• Recommended max flow rate.

• Above capacity are calculated with external sensing line.

FLOW CAPACITY

DN50 - DN50 / Capacity Nm³/h / (Conversion in Kg/h = Multiply by 1,2)

REXI - HC - DN50 - DN50 - LP VERSION RANGE FROM 10 MBAR TO 120 MBAR

Inlet Pressure	Outlet Pressure				
	20 mbar	25 mbar	40 mbar	60 mbar	85 mbar
0,5 bar	520	516	506	485	450
1 bar	799	791	766	735	699
2 bar	1047	1122	1347	1397	1147
5 bar	1044	1185	1608	1918	1989
10 bar	1148	1287	1703	1980	1980
15 bar	888	1068	1611	1972	1972
20 bar	639	860	1523	1965	1965

REXI - HC - DN50 - DN50 - MP VERSION RANGE FROM 70 MBAR TO 350 MBAR

Inlet Pressure	Outlet Pressure				
	100 mbar	150 mbar	200 mbar	250 mbar	300 mbar
0,5 bar	460	460	460	426	391
1 bar	788	804	712	712	712
2 bar	1262	1262	1148	1205	1263
5 bar	1863	1945	1831	1831	1831
10 bar	1887	2049	1935	1993	2050
15 bar	1879	2041	1929	1985	2041
20 bar	1953	2034	2034	2034	2034

REXI - HC - DN50 - DN50 - HP VERSION RANGE FROM 280 TO 4,5 BAR

Inlet Pressure	Outlet Pressure				
	500 mbar	1000 mbar	2000 mbar	3000 mbar	4000 mbar
0,5 bar	-	-	-	-	-
1 bar	540	-	-	-	-
2 bar	998	999	-	-	-
5 bar	2488	2489	1894	1896	1898
10 bar	2476	2478	4464	4469	4473
15 bar	2466	2468	4446	4450	4454
20 bar	2457	2458	4429	4433	4437

• Recommended max flow rate.

• Above capacity are calculated with external sensing line.

PRODUCT RANGE OVERVIEW



GAS GOVERNOR

- Aluminum body
- From 1/2" to DN100
- 500 mbar / 1 bar / 2 bar / 5 bar



AUTOMATIC GAS VALVE

- Aluminum body
- From 1/2" to DN150
- 360 mbar / 6 bar
- Fast opening / Fast closing
- Slow opening / Fast closing



GAS FILTER

- Aluminum body
- From 1/2" to DN200
- 6 bar / 10 bar



GAS SOLENOID VALVE

- Normally open or normally close
- 550 mbar or 6 bar
- From 1/2" to DN200
- 230 Vac – 12 Vdc/Vac – 24 Vdc/Vac / 110 Vac
- Manual / Automatic reset



Our policy of continuous product improvement, the features and data shown are subject to change without notice. The images of the products and accessories are only indicative. Graphic colors of the products may differ from reality.



GECA S.r.l.
Via E. Fermi, 98 | 25064 Gussago (BS) | ITALY
Tel. +39 030 3730218
Fax +39 030 3730228
E-mail: info@gecasrl.it
gecasrl.it



Tecnocentro S.r.l.
Via Miglioli, 47 | 20054 Segrate (MI) | ITALY
Tel. +39 02 26922890
Fax +39 02 2133734
E-mail: info@tecnocentro.it
tecnocentro.it



CPF Industriale S.r.l.
Via E. Fermi, 98 | 25064 Gussago (BS) | ITALY
Tel. +39 030 310461
Fax +39 030 310465
E-mail: info@cpfindustriale.it
cpfindustriale.it

Marchi:

